

# Automatic Model

## Product Description

### SPECIFICATIONS

4-season safety cover that complies with the **AFNOR regulation NF P90-308 December 2013**



- **Manoeuvre** : · Wireless control with maintained contact  
· Wired control with 3 buttons  
· Rechargeable by 2 solar panels 12v/ 12W/ 0.78Ah of 2 batteries 12V - 5,5 Ah (except indoor pool = on power supply)  
· Ratchet spanner only in case of an electrical failure

- **Membrane** : PVC pre-stressed membrane

- **Belt** : Polyurethane with stainless steel cables



- **Méchanical** : All the metallic parts involved in the security are in anodized aluminium and 316 stainless steel

- **Rails** : Anodized aluminium

- **Casing** : Polyester powder-coated aluminium, matt finished of **Ral colour 7037** (standard)

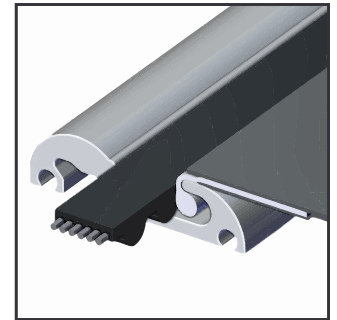
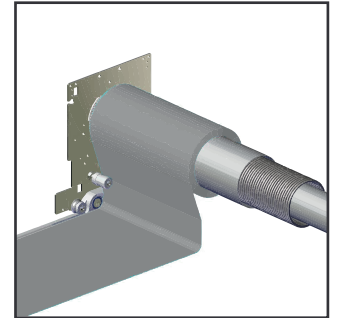


- **Length** : min 2 meters -> max 28 meters

- **Width** : min 2 meters -> max 12 meters (depending on the length of the cover)<sup>1</sup>



- **Speed** : Closing/opening time : 60 seconds for a length of 13 meters



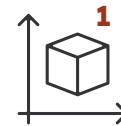
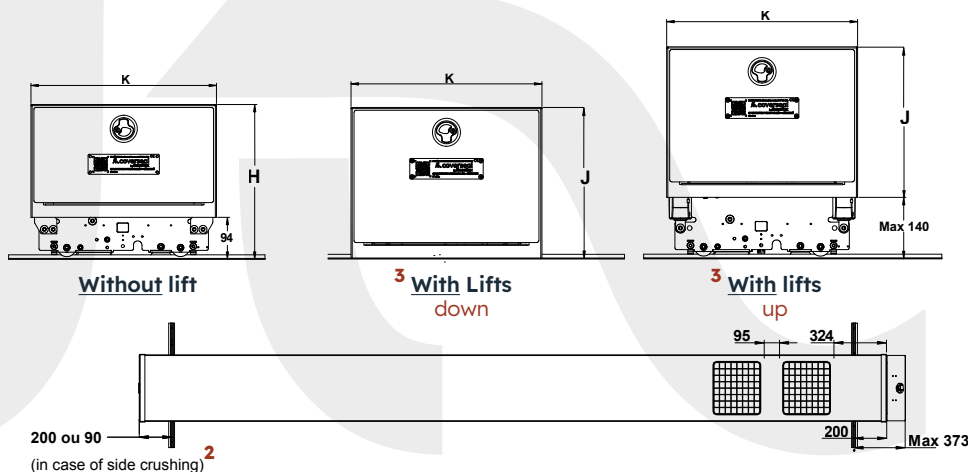
### AVAILABLE COLOURS OF THE MEMBRANE



### AVAILABLE OPTIONS

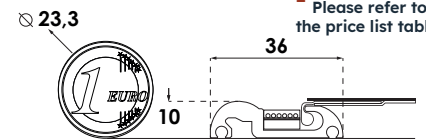
- The casing is available in all RAL K7 Classic paints except for fluo and metallic paints.
- All-terrain rail (RTT) 72,0 mm x 10,6 mm (unregular surface or low density)
- 2 solar panels additional
- Mechanical closing sensor
- Charging station for indoor pool
- Side Crushing<sup>2</sup>
- Lift<sup>3</sup> in case of obstacle and low clearance

### MEASURES (in mm)



H	J	K
348	333	416
423	418	416
508	483	471

<sup>1</sup> Please refer to the price list table



Technical Data Sheet: Automatic Model  
Cover 102 in compliance with the Afnor NF P90-308 standard of December 2013 - LNE certified

